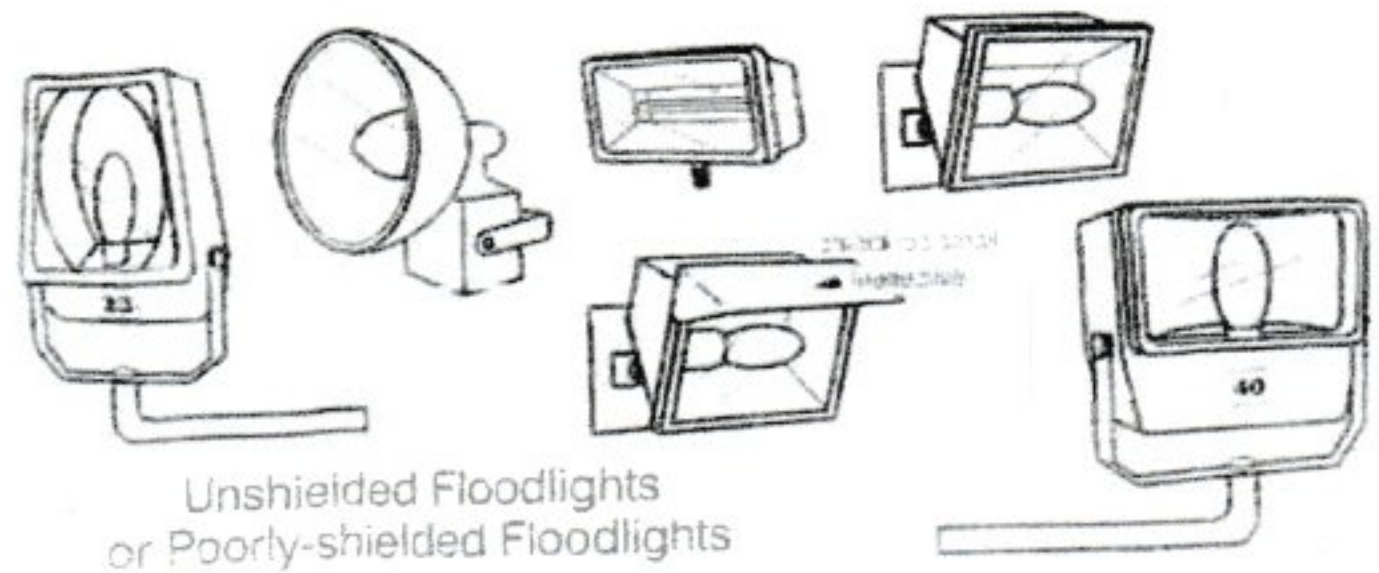


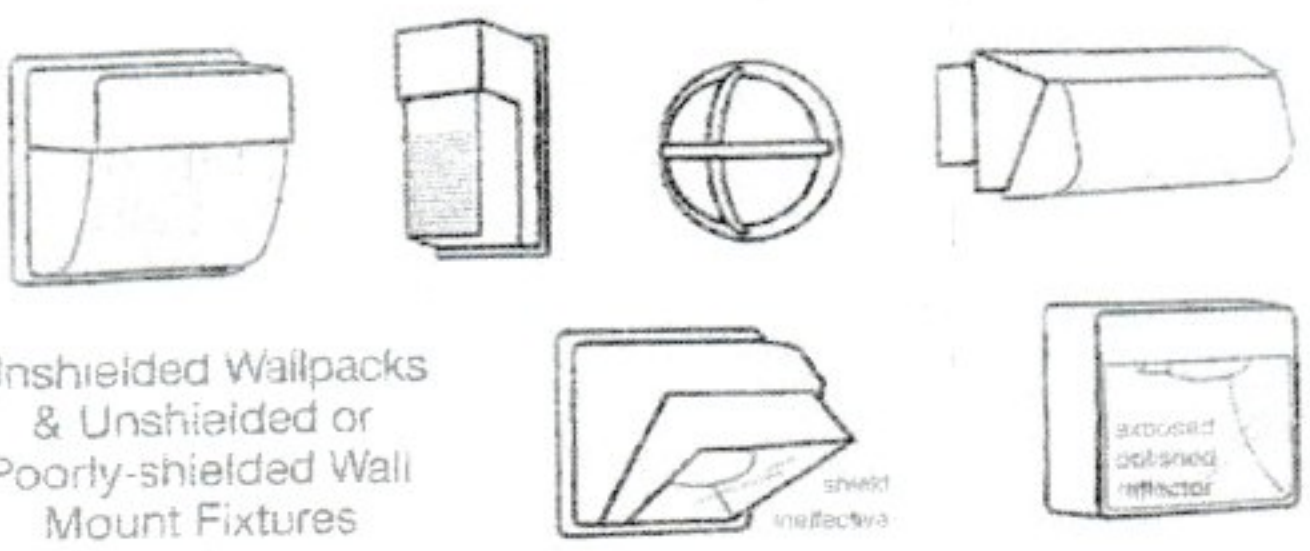
Examples of Acceptable / Unacceptable Lighting Fixtures

Unacceptable / Discouraged

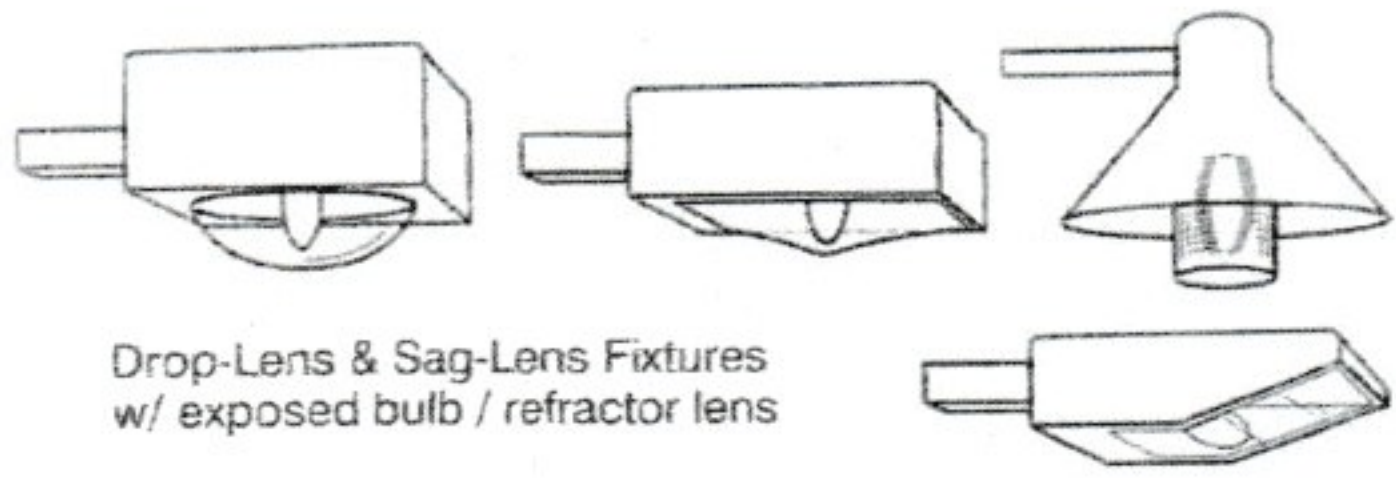
Fixtures that produce glare and light trespass



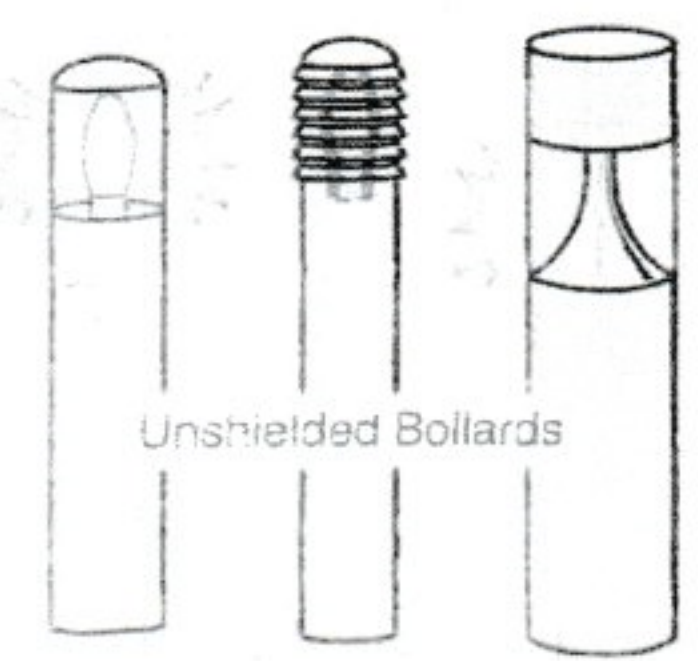
Unshielded Floodlights or Poorly-shielded Floodlights



Unshielded Wallpacks & Unshielded or Poorly-shielded Wall Mount Fixtures



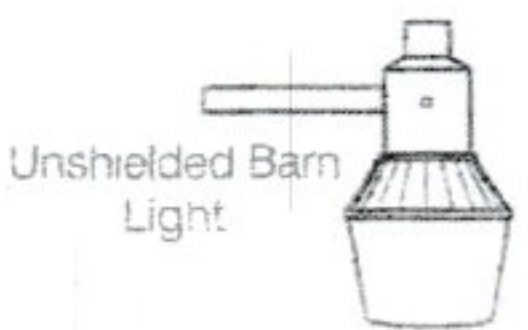
Drop-Lens & Sag-Lens Fixtures w/ exposed bulb / refractor lens



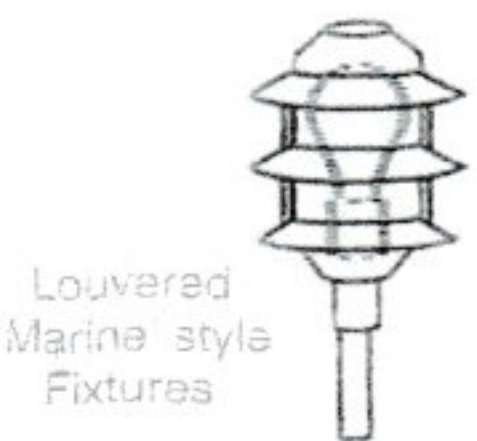
Unshielded Bollards



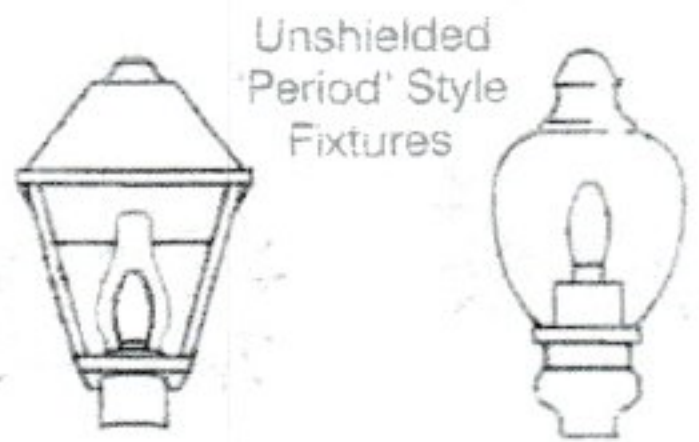
Unshielded Streetlight



Unshielded Barn Light



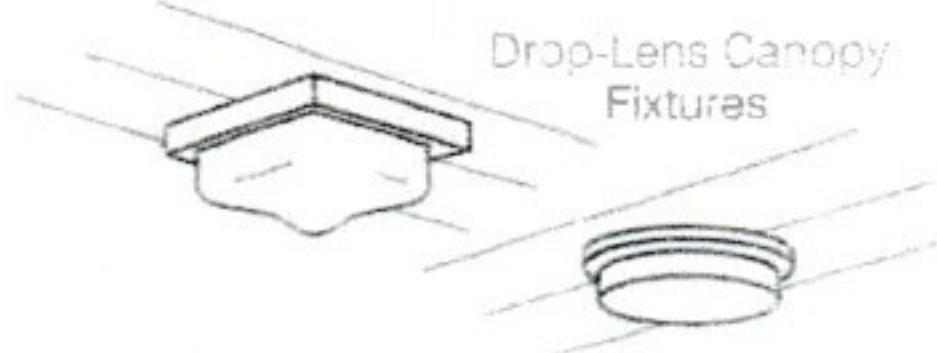
Louvered Marine style Fixtures



Unshielded 'Period' Style Fixtures



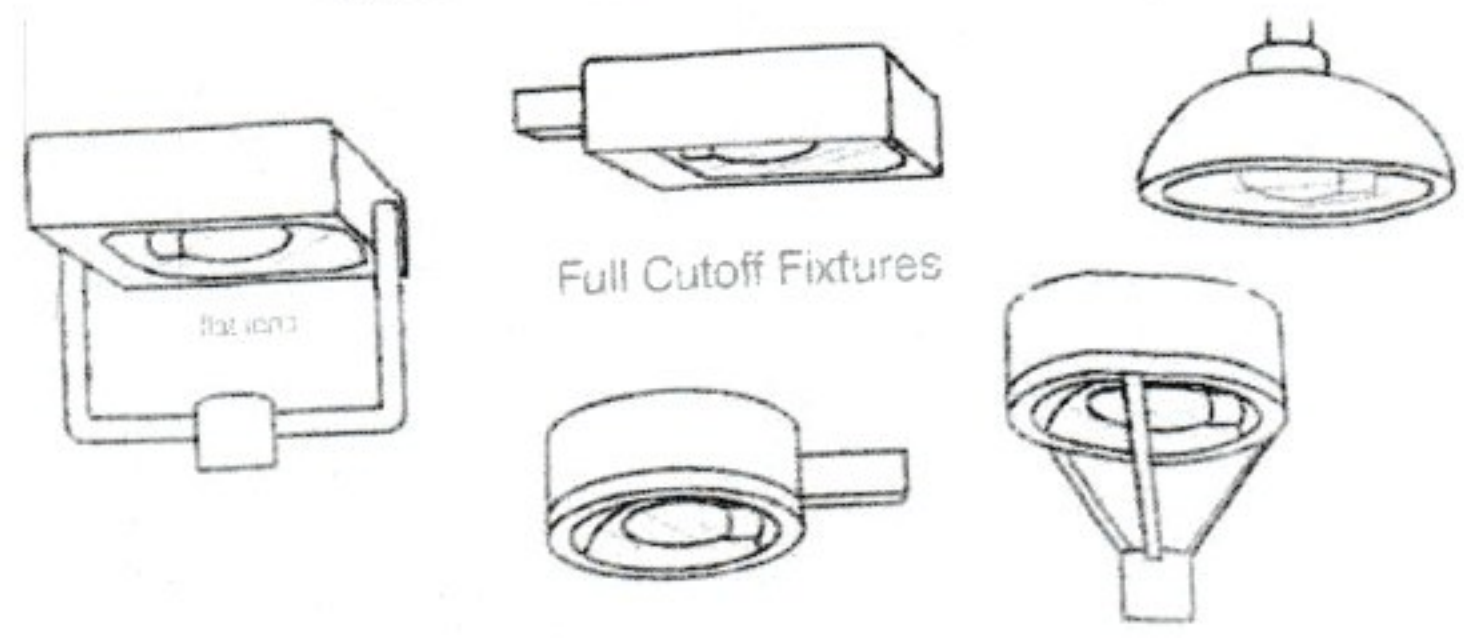
Unshielded PAR Floodlights



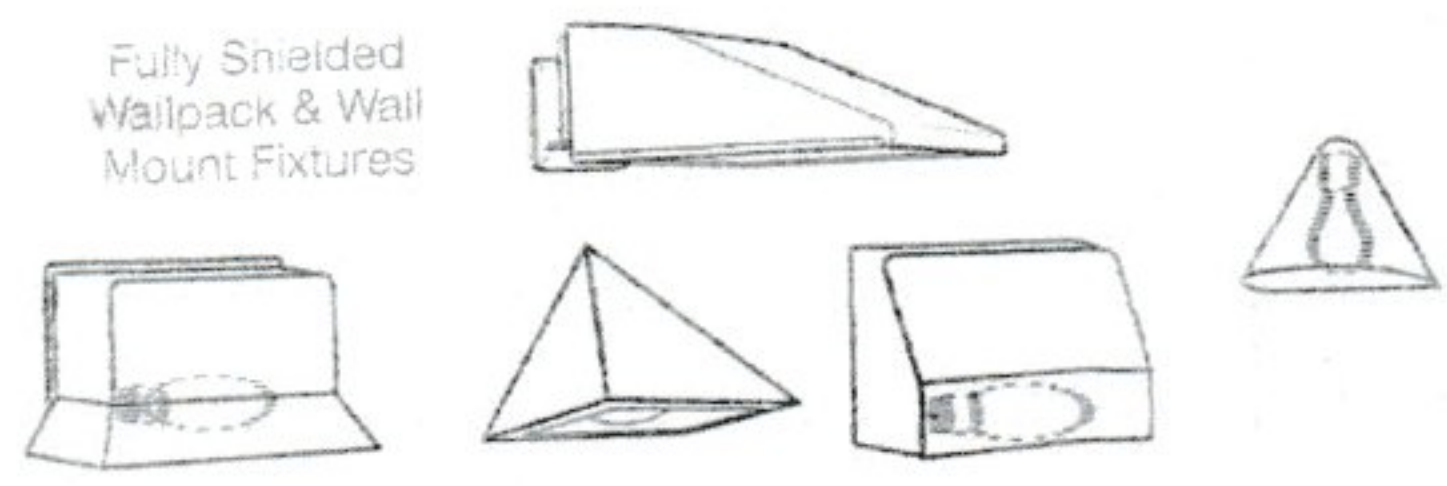
Drop-Lens Canopy Fixtures

Acceptable

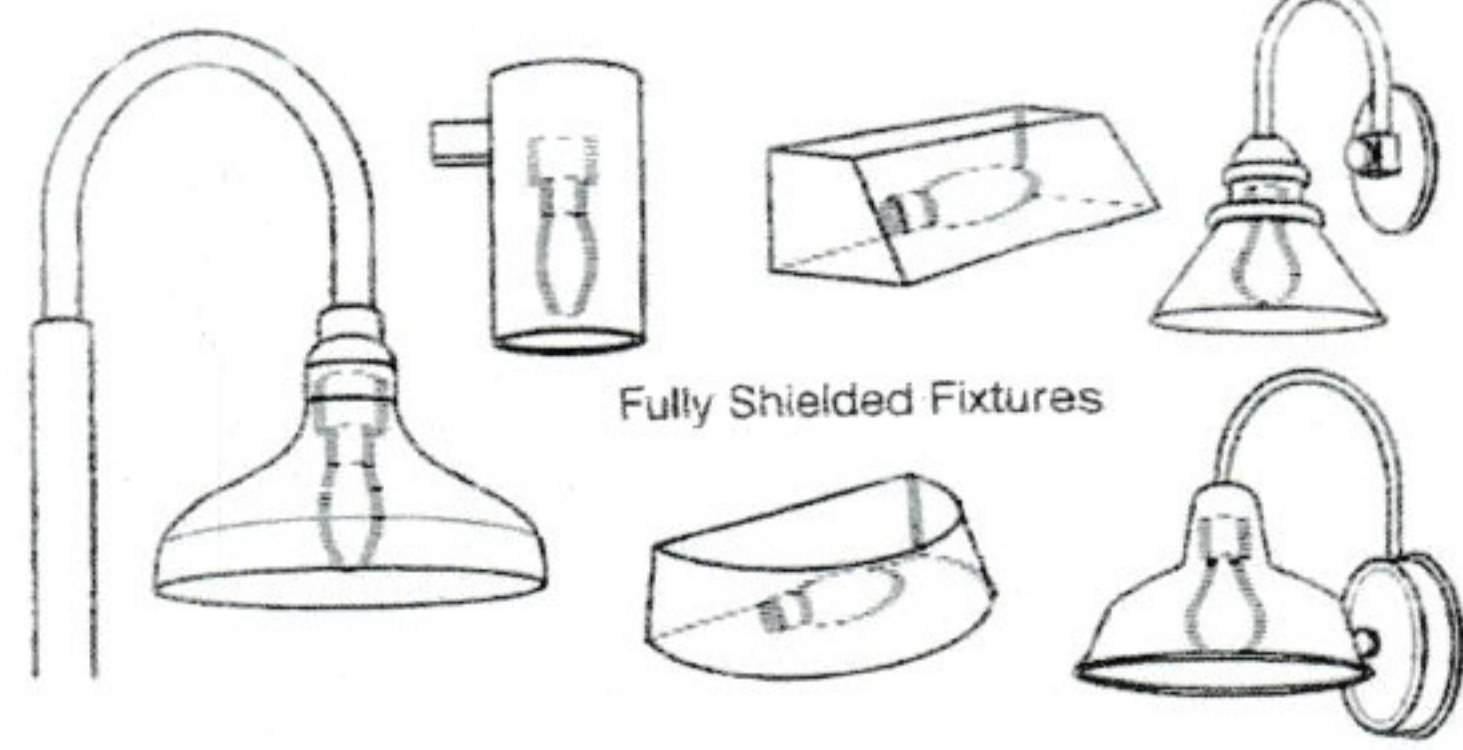
Fixtures that shield the light source to minimize glare and light trespass and to facilitate better vision at night



Full Cutoff Fixtures



Fully Shielded Wallpack & Wall Mount Fixtures



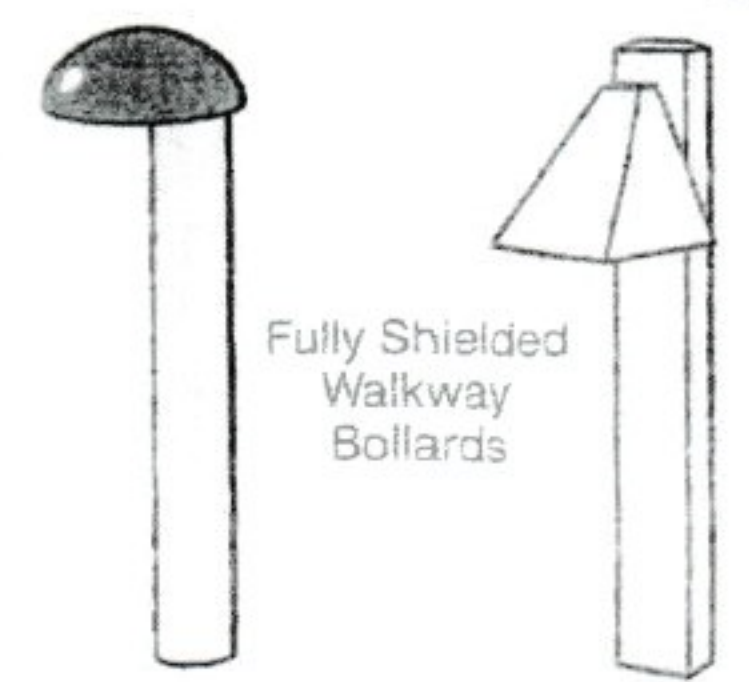
Fully Shielded Fixtures



Full Cutoff Streetlight



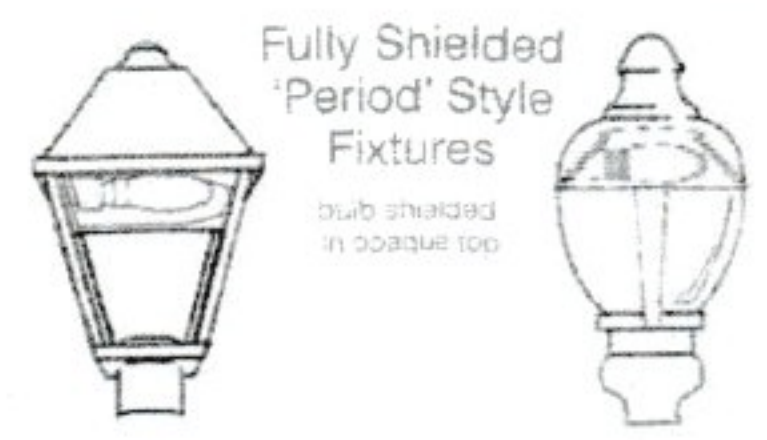
Fully Shielded Barn Light



Fully Shielded Walkway Bollards



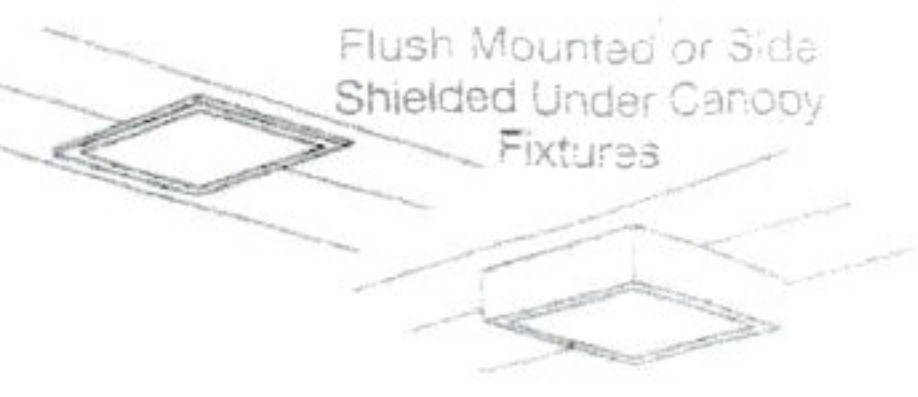
Fully Shielded Decorative Fixtures



Fully Shielded 'Period' Style Fixtures



Shielded / Properly-aimed PAR Floodlights



Flush Mounted or Side Shielded Under Canopy Fixtures